

**LC-R127P**



**Specifications**

Nominal voltage		12V
Rated capacity (20 hour rate)		7Ah
Dimensions	Length	151 mm
	Width	64.5 mm
	Height	94 mm
	Total Height	100 mm
Approx. mass		2.2 kg

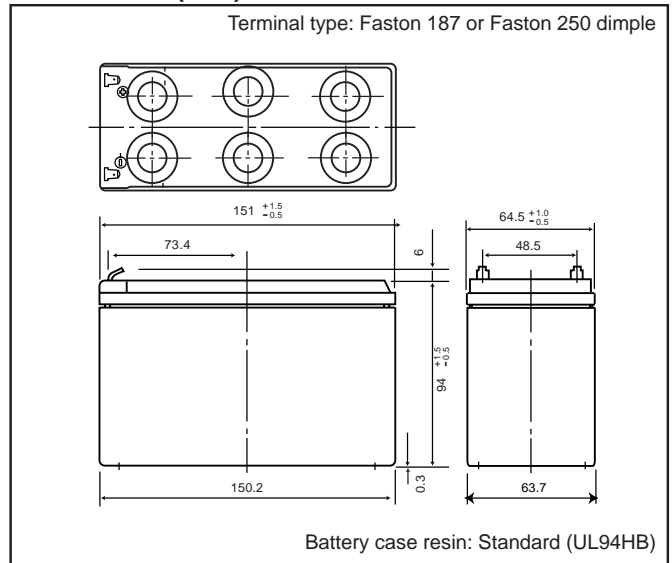
**Characteristics**

Capacity (note) (25°C)	20 hour rate (350mA)	7.0Ah	
	10 hour rate (660mA)	6.6Ah	
	5 hour rate (1220mA)	6.1Ah	
	1 hour rate (4700mA)	4.7Ah	
1.5 hour rate discharge Cut-off voltage 10.5 V		3.3A	
Internal resistance	Fully charged battery (25°C)	Approx. 26mΩ	
Temperature dependency of capacity (20 hour rate)	40°C	102%	
	25°C	100%	
	0°C	85%	
Self discharge (25°C)	Residual capacity after standing 3 months	91%	
	Residual capacity after standing 6 months	82%	
	Residual capacity after standing 12 months	64%	
Charge Method (Constant Voltage)	Cycle use (Repeating use)	Initial current	2.8 A or smaller
		Control voltage	14.5V to 14.9 V (per 12V cell 25°C)
	Trickle use	Initial current	1.05 A or smaller
		Control voltage	13.6V to 13.8V (per 12V cell 25°C)

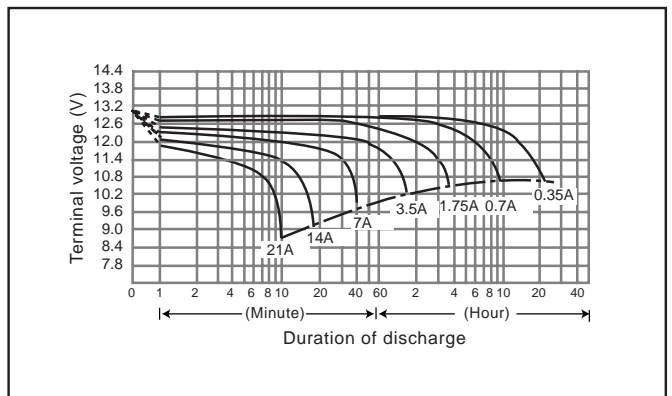
(Note) The above characteristics data are average values obtained within three charge/discharge cycles, not the minimum values.

For main and standby power supplies.  
Expected trickle life: over 3 years at 25°C, Approx. 5 years at 20°C.

**Dimensions (mm)**



**Discharge characteristics (25°C) (Note)**



**Duration of discharge vs. Discharge current (Note)**

