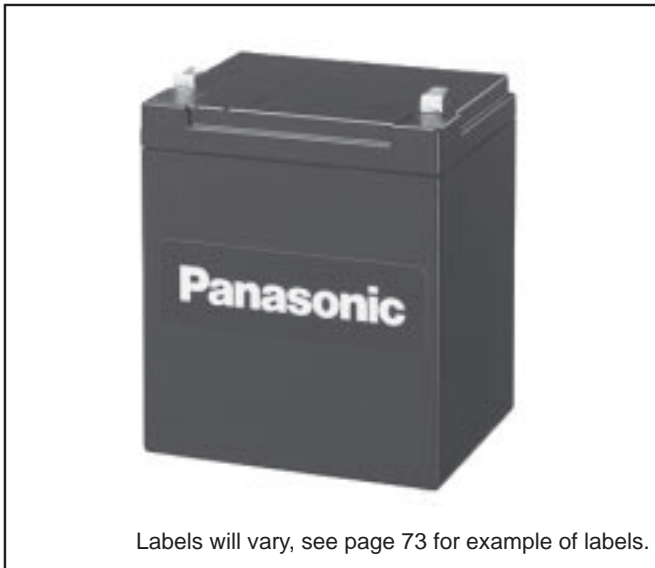


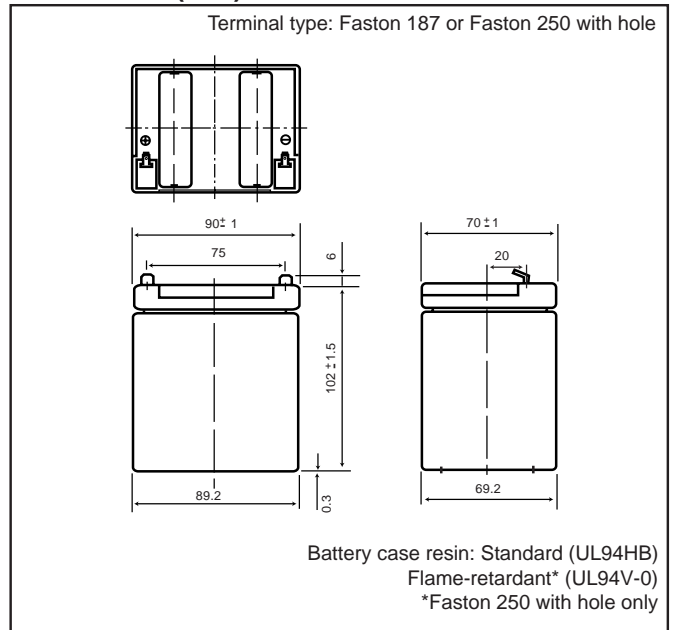
**LC-R125P/LC-V125P1**



\* This product adopts UL94HB-compliant resin as the material of the battery case. Product color is black. Optionally, type LC-V125P1 which adopts flame retardant resin complying with UL94V-0 is also available. Product color is gray.

For main and standby power supplies.  
Expected trickle life: 3-5 years at 25°C, Approx. 5 years at 20°C.

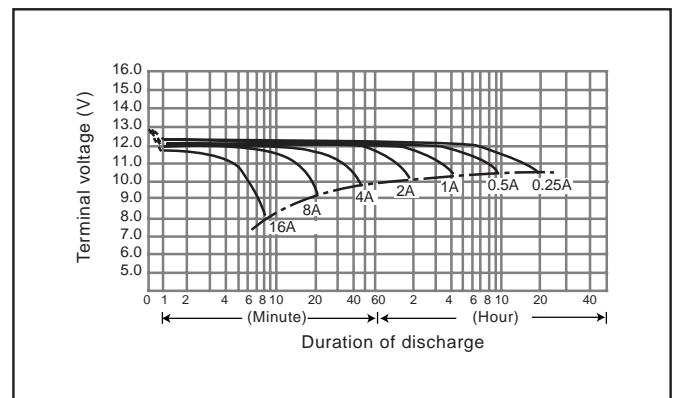
**Dimensions (mm)**



**Specifications**

Nominal voltage	12V	
Rated capacity (20 hour rate)	5Ah	
Dimensions	Length	90 mm
	Width	70 mm
	Height	102 mm
	Total Height	108 mm
Approx. mass	1.93 kg	

**Discharge characteristics (25°C) (Note)**



**Characteristics**

Capacity (note) (25°C)	20 hour rate (250mA)	5.0Ah	
	10 hour rate (470mA)	4.7Ah	
Dimensions	5 hour rate (860mA)	4.3Ah	
	1 hour rate (3400mA)	3.4Ah	
	1.5 hour rate discharge Cut-off voltage 10.5 V	2.4A	
Internal resistance	Fully charged battery (25°C)	Approx. 40mΩ	
Temperature dependency of capacity (20 hour rate)	40°C	102%	
	25°C	100%	
	0°C	85%	
	-15°C	65%	
Self discharge (25°C)	Residual capacity after standing 3 months	91%	
	Residual capacity after standing 6 months	82%	
	Residual capacity after standing 12 months	64%	
Charge Method (Constant Voltage)	Cycle use (Repeating use)	Initial current	2 A or smaller
		Control voltage	14.5V to 14.9 V (per 12V cell 25°C)
	Trickle use	Initial current	0.75 A or smaller
		Control voltage	13.6V to 13.8V (per 12V cell 25°C)

(Note) The above characteristics data are average values obtained within three charge/discharge cycles, not the minimum values.

**Duration of discharge vs. Discharge current (Note)**

