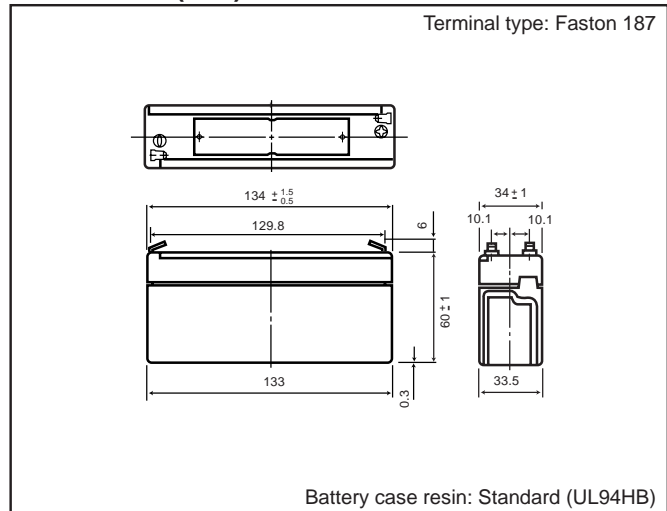


LC-R063R4P



For main and standby power supplies.
Expected trickle life: 3-5 years at 25°C, Approx. 5 years at 20°C.

Dimensions (mm)



Specifications

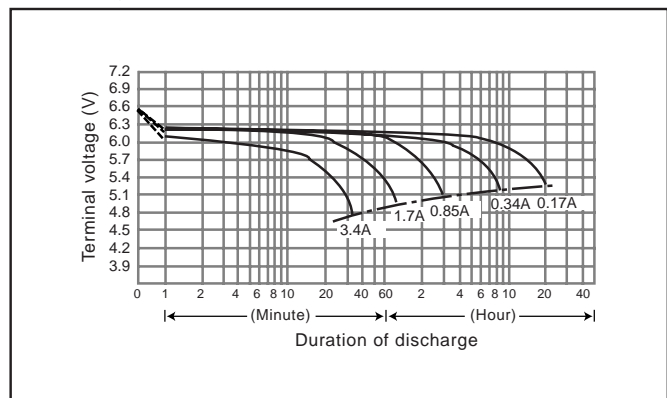
Nominal voltage	6V	
Rated capacity (20 hour rate)	3.4Ah	
Dimensions	Length	134 mm
	Width	34 mm
	Height	60 mm
	Total Height	66 mm
Approx. mass	0.62 kg	

Characteristics

Capacity (note) (25°C)	20 hour rate (170mA)	3.40Ah	
	10 hour rate (300mA)	3.00Ah	
	5 hour rate (540mA)	2.70Ah	
	1 hour rate (2100mA)	2.10Ah	
	1.5 hour rate discharge Cut-off voltage 5.25 V	1.5A	
Internal resistance	Fully charged battery (25°C)	Approx. 30mΩ	
Temperature dependency of capacity (20 hour rate)	40°C	102%	
	25°C	100%	
	0°C	85%	
	-15°C	65%	
Self discharge (25°C)	Residual capacity after standing 3 months	91%	
	Residual capacity after standing 6 months	82%	
	Residual capacity after standing 12 months	64%	
Charge Method (Constant Voltage)	Cycle use (Repeating use)	Initial current	1.36 A or smaller
		Control voltage	7.25V to 7.45 V (per 6V cell 25°C)
	Trickle use	Initial current	0.51 A or smaller
		Control voltage	6.8V to 6.9V (per 6V cell 25°C)

(Note) The above characteristics data are average values obtained within three charge/discharge cycles, not the minimum values.

Discharge characteristics (25°C) (Note)



Duration of discharge vs. Discharge current (Note)

