

**LC-R0611P**



**Specifications**

Nominal voltage		6V
Rated capacity (20 hour rate)		11Ah
Dimensions	Length	151 mm
	Width	50 mm
	Height	94 mm
	Total Height	100 mm
Approx. mass		1.7 kg

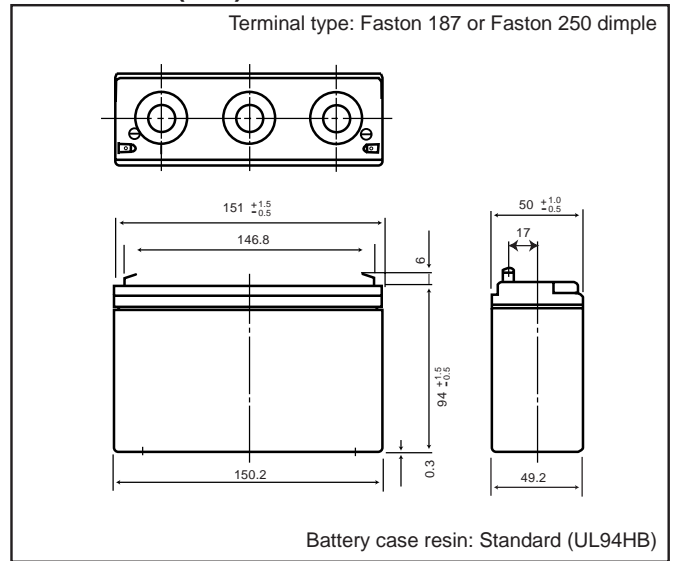
**Characteristics**

Capacity (note) (25°C)	20 hour rate (550mA)	11.0Ah	
	10 hour rate (1040mA)	10.4Ah	
Internal resistance	5 hour rate (1900mA)	9.5Ah	
	1 hour rate (7400mA)	7.4Ah	
Temperature dependency of capacity (20 hour rate)	1.5 hour rate discharge Cut-off voltage 5.25 V	5.3A	
	Fully charged battery (25°C)	Approx. 11mΩ	
Self discharge (25°C)	40°C	102%	
	25°C	100%	
	0°C	85%	
Charge Method (Constant Voltage)	-15°C	65%	
	Cycle use (Repeating use)	Residual capacity after standing 3 months	91%
		Residual capacity after standing 6 months	82%
Trickle use	Residual capacity after standing 12 months	64%	
	Initial current	4.4 A or smaller	
Control voltage		7.25V to 7.45 V (per 6V cell 25°C)	
	Initial current	1.65 A or smaller	
Control voltage		6.8V to 6.9V (per 6V cell 25°C)	

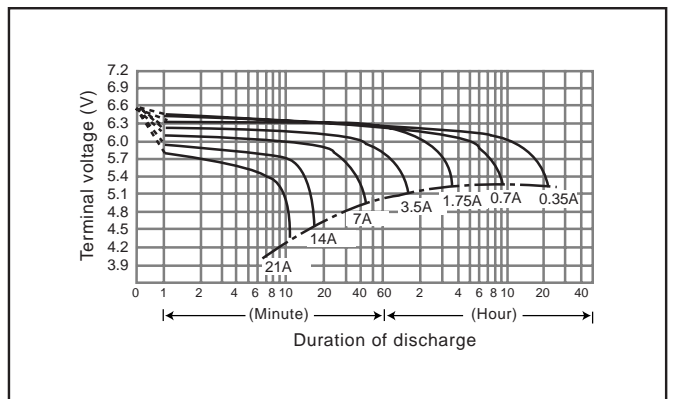
(Note) The above characteristics data are average values obtained within three charge/discharge cycles, not the minimum values.

For main and standby power supplies.  
Expected trickle life: over 3 years at 25°C, Approx. 5 years at 20°C.

**Dimensions (mm)**



**Discharge characteristics (25°C) (Note)**



**Duration of discharge vs. Discharge current (Note)**

