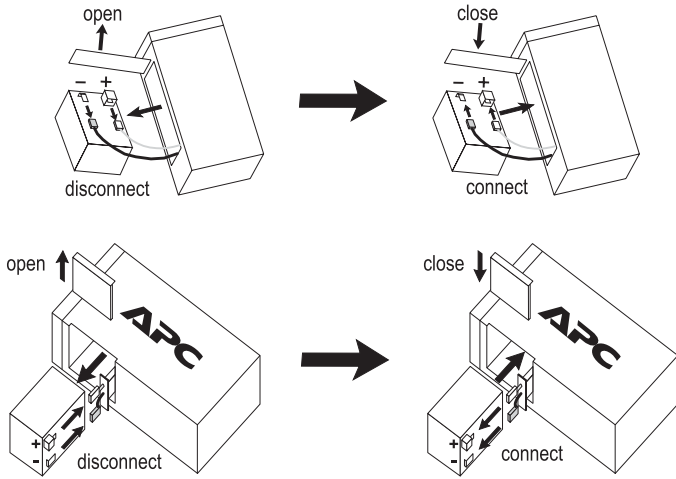
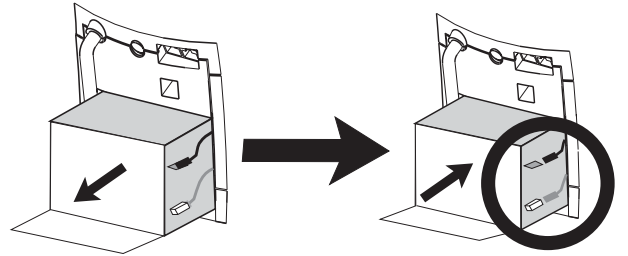


Battery Cartridge Replacement

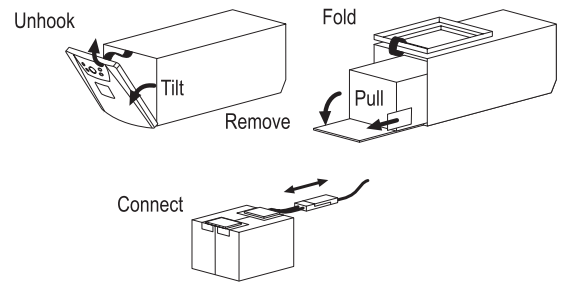
Back-UPS or BK (200 - 500 VA) and
Back-UPS Pro, BK Pro or SU (280 - 420 VA)



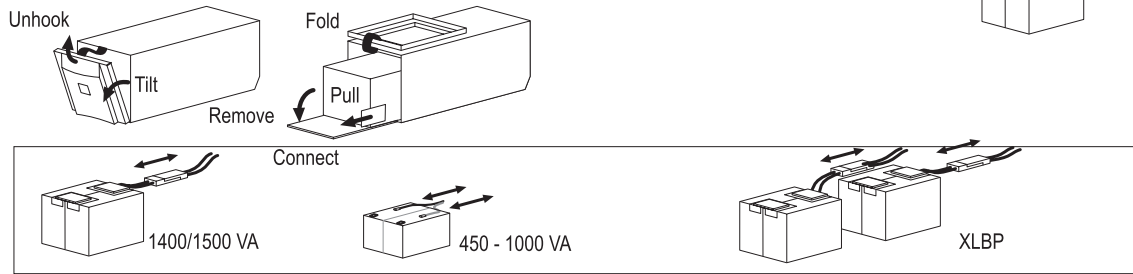
Back-UPS Pro USB (350, 500, and 650 VA)



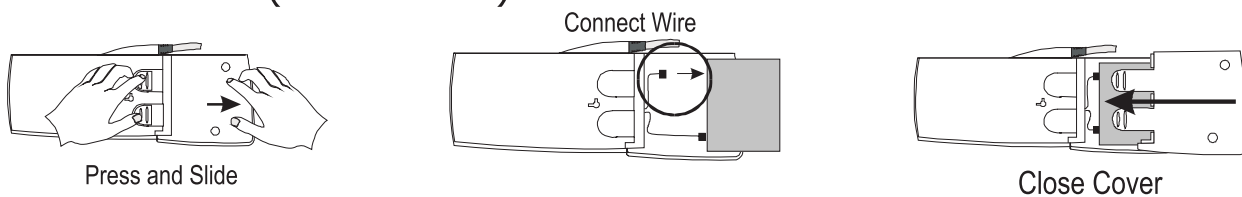
Back-UPS (1000 and 1400 VA)



Smart-UPS (450 - 1500 VA) and
Smart-UPS XLBP

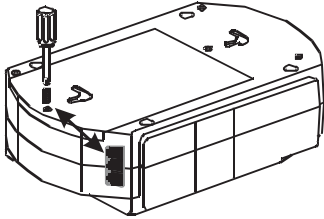


Back-UPS Office (250 - 500 VA)

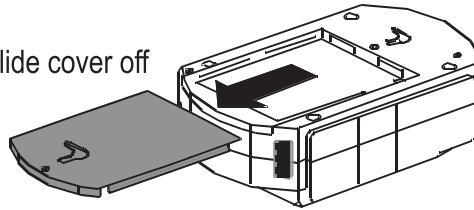


Back-UPS ES 350 and ES 500 and ES 550

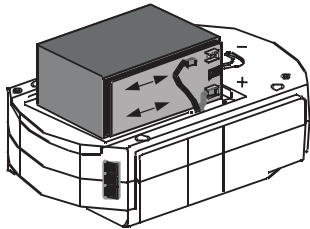
remove screw



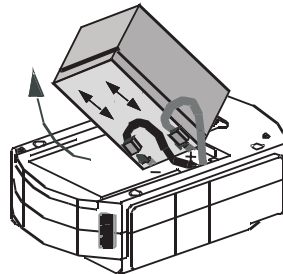
slide cover off



disconnect wires, replace with new battery and reconnect wires.

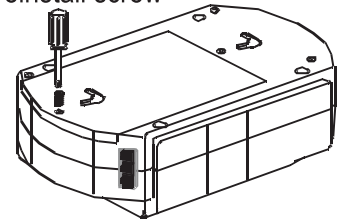


Back-UPS ES 500 and ES 550



Back-UPS ES 350

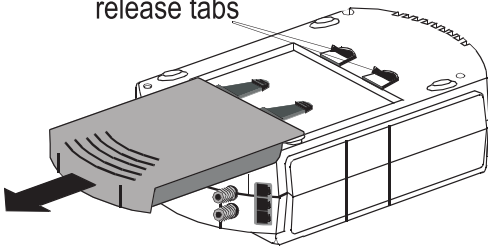
Close cover and reinstall screw



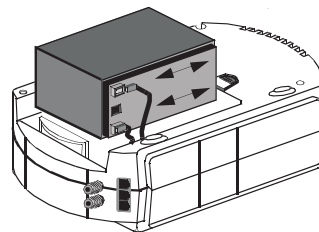
Back-UPS ES 725

press release tabs and slide off cover

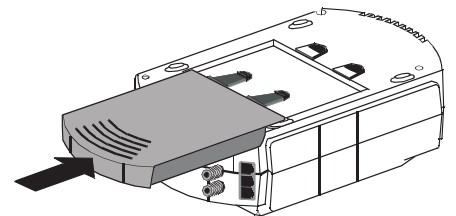
release tabs



disconnect wires, replace with new battery and reconnect wires.



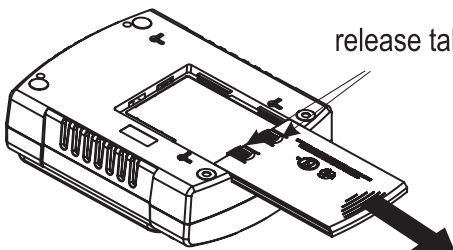
close cover



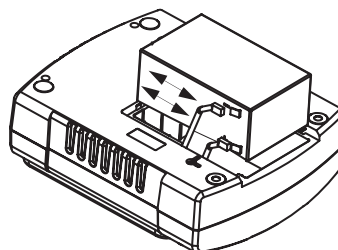
Back-UPS ES 400/550/700

press release tabs and slide off cover

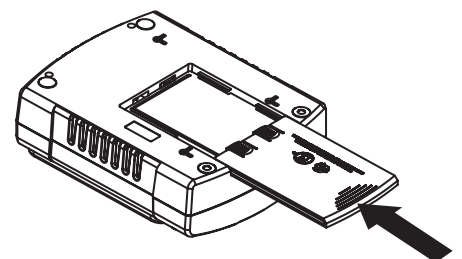
release tabs



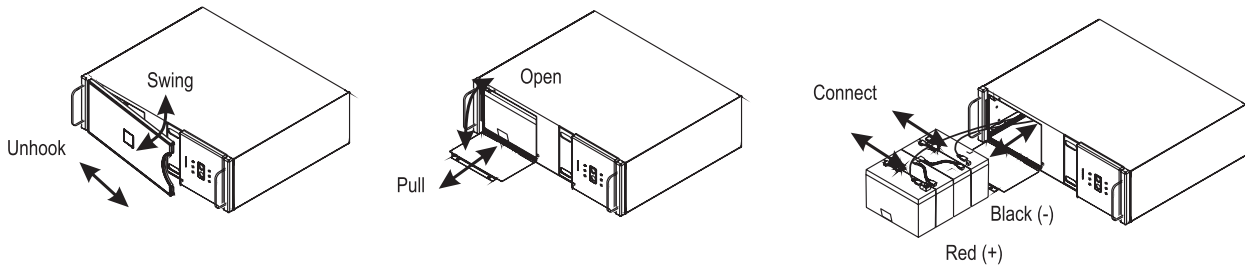
disconnect wires, replace with new battery and reconnect wires.



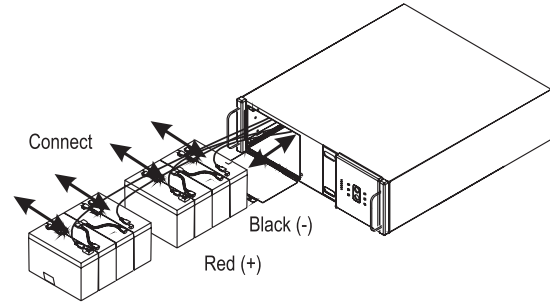
close cover



Smart-UPS Rackmount (all 5.25" tall models)

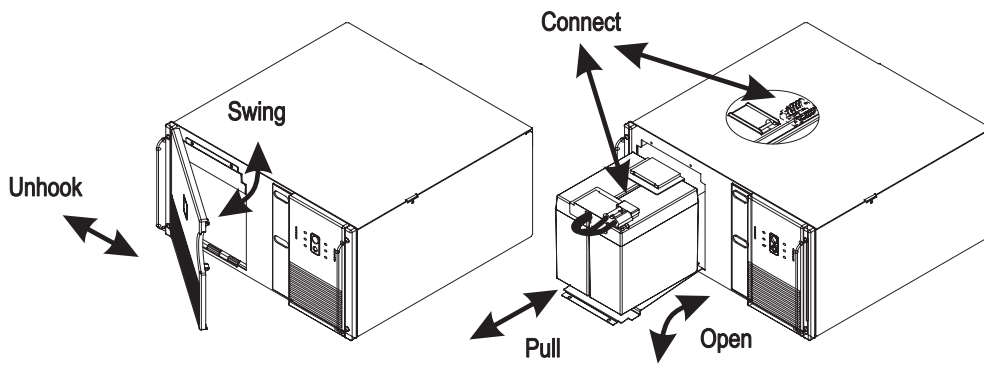


MODELS 700-1400

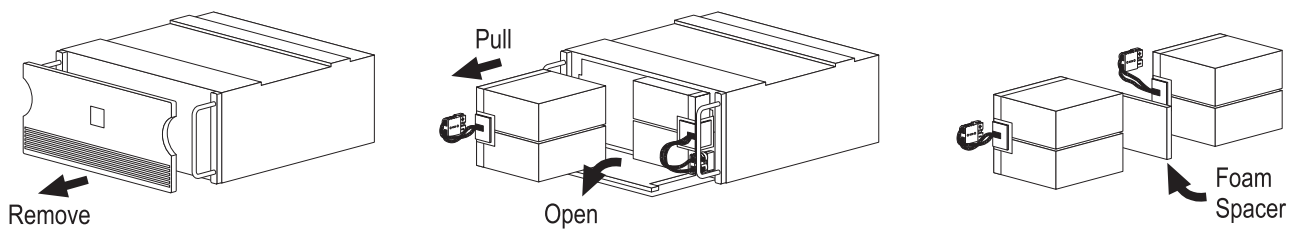


MODELS 2200-3000

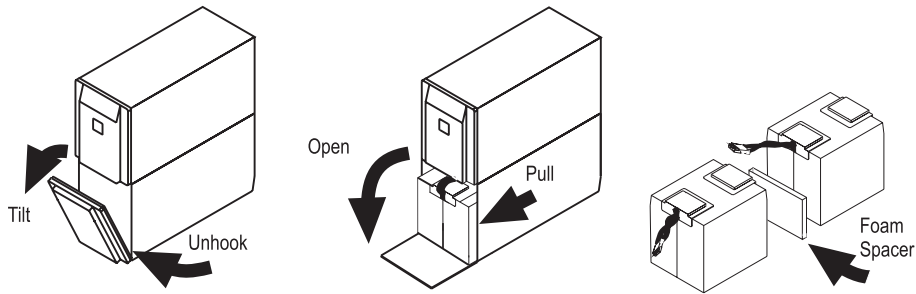
Smart-UPS Rackmount (all 8.75" tall models)



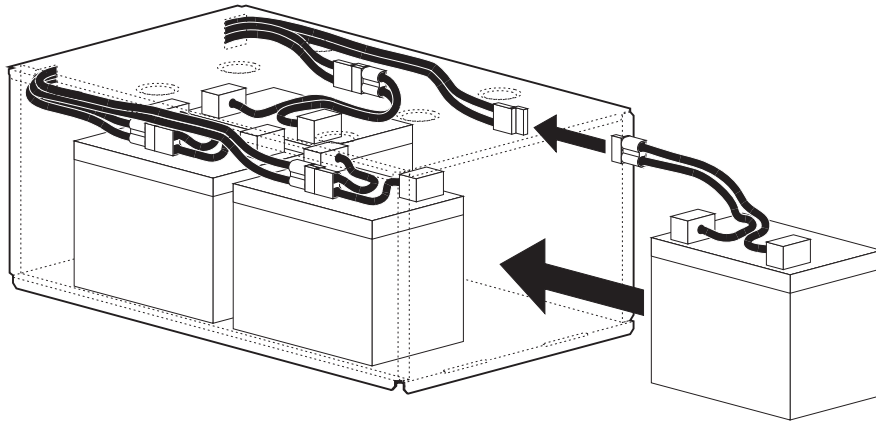
Smart-UPS Rackmount XL Battery Packs



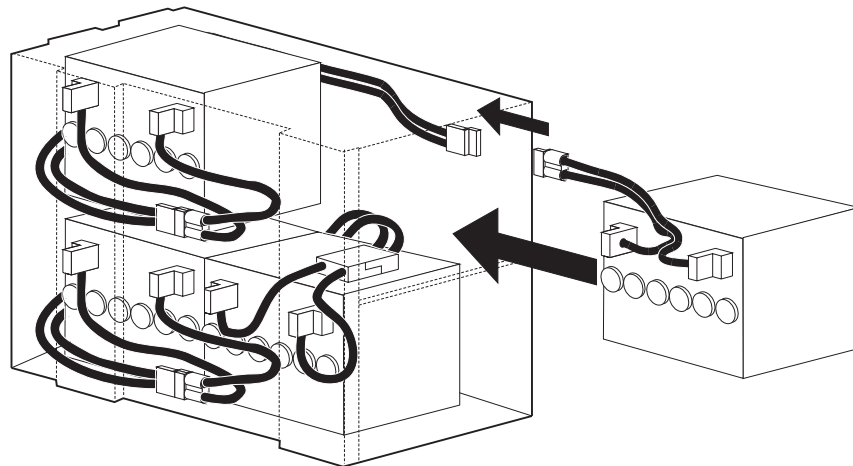
Smart-UPS (2200 and 3000 VA)



UXBP (24, 48, 48M)



SmartCell XR

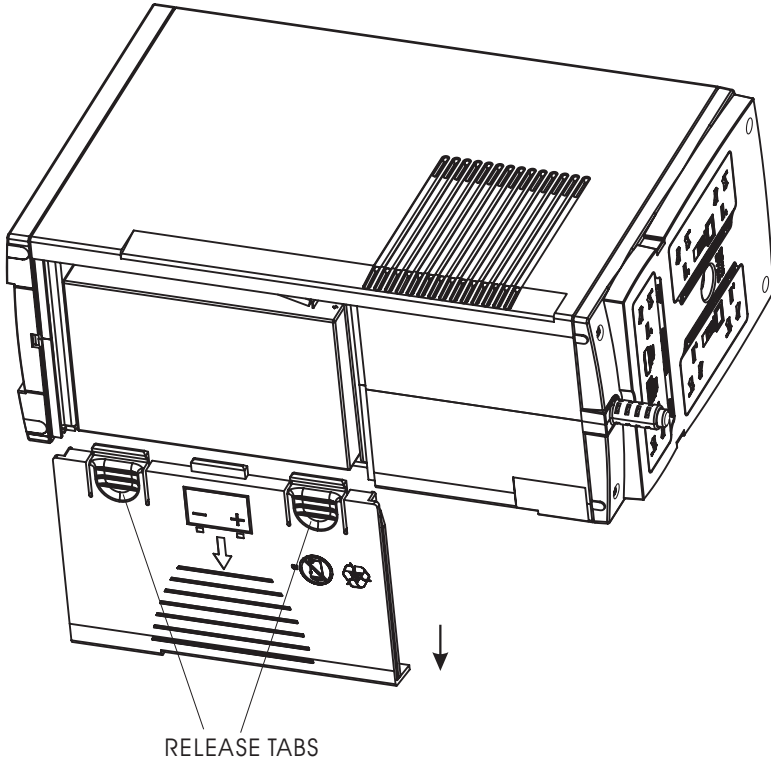


Dispose

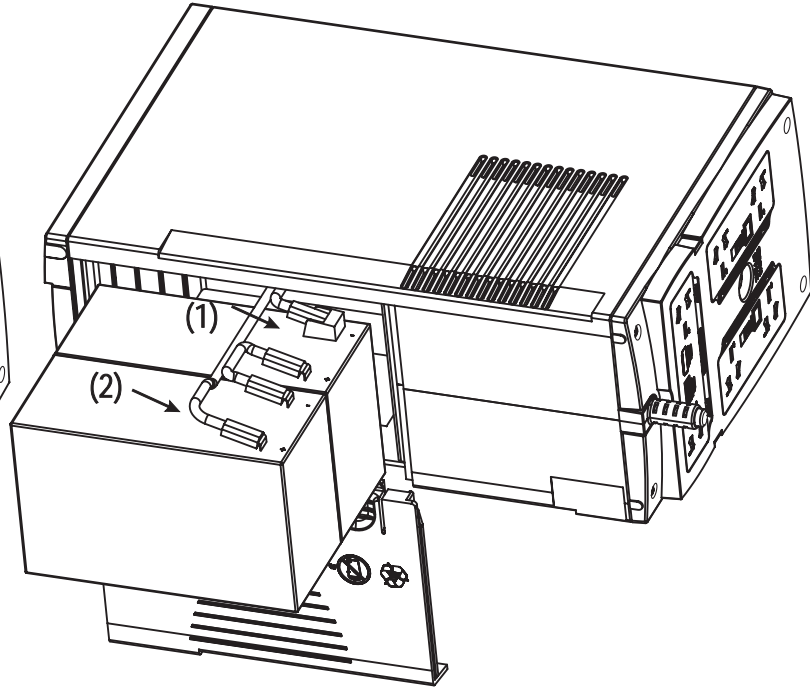


Back-UPS BR1000-CH

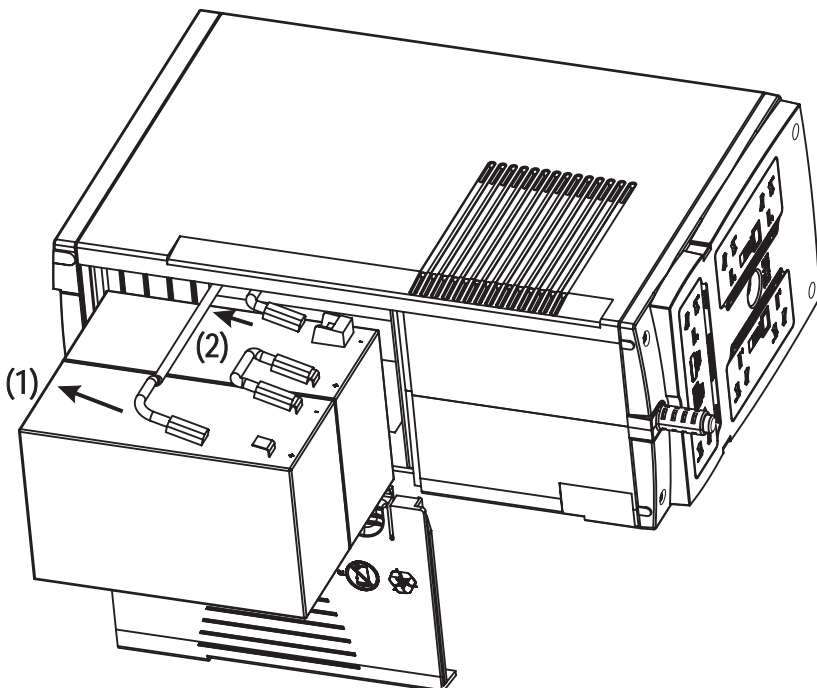
1 PRESS RELEASE TABS AND SLIDE OFF BATTERY DOOR.



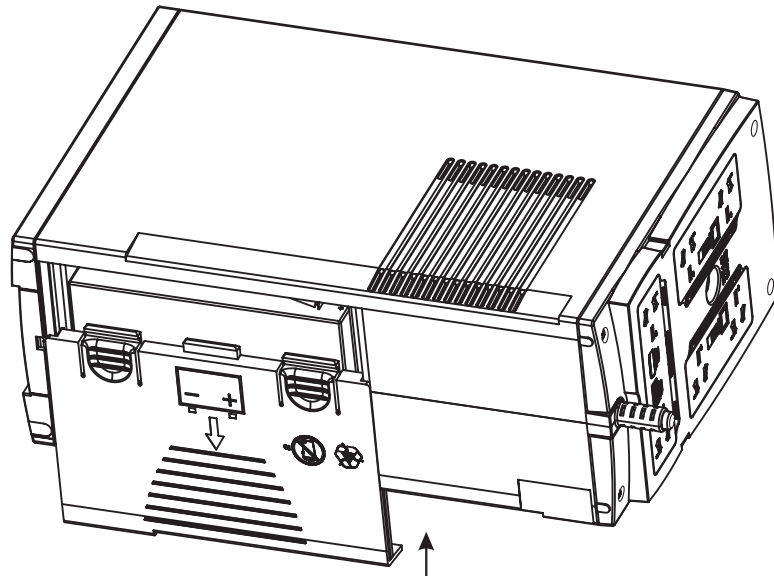
3 REPLACE THE NEW BATTERY AND CONNECT THE WIRES.



2 DISCONNECT THE BATTERY WIRES.

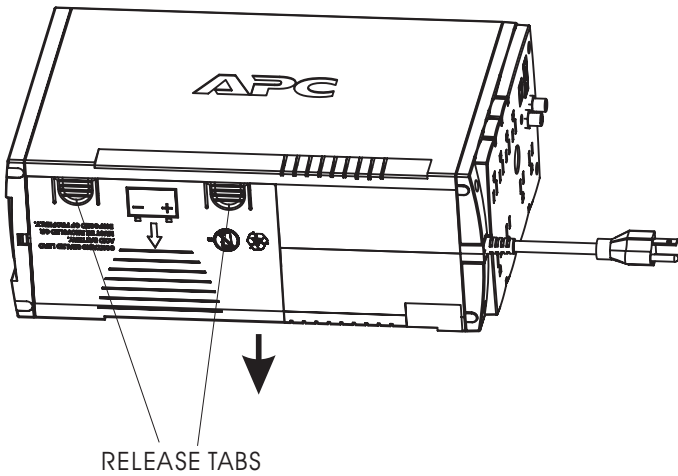


4 CLOSE THE BATTERY DOOR.

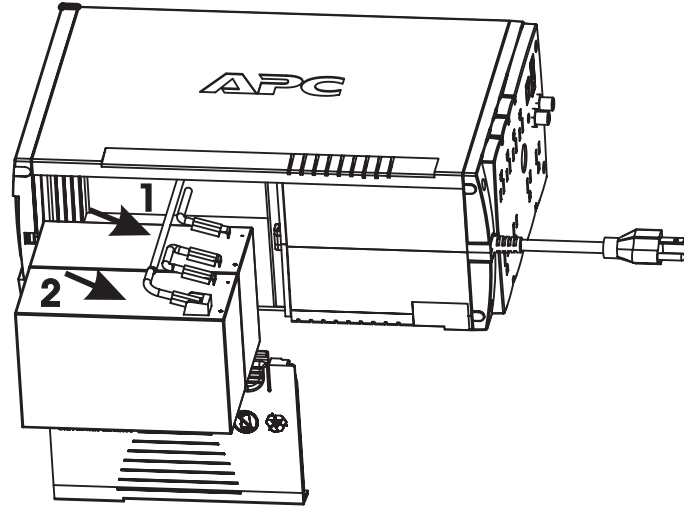


Back-UPS BX900R/BX1200R/DL1000VNT/ BX1300LCD/BX1500LCD/BN1250LCD

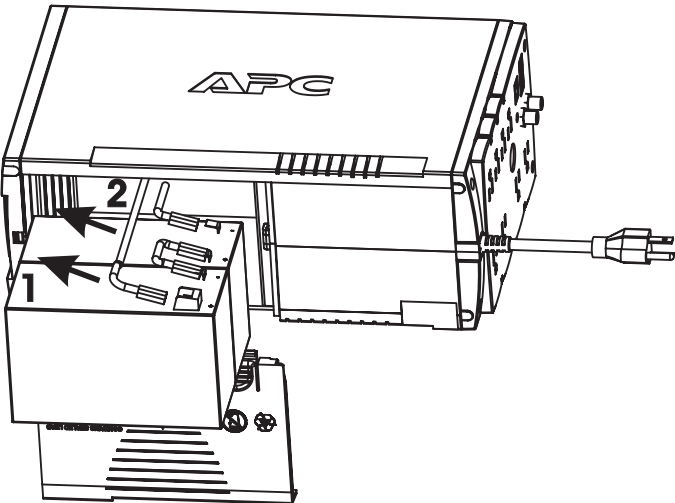
1 PRESS RELEASE TABS AND SLIDE OFF BATTERY DOOR.



3 REPLACE THE NEW BATTERY AND CONNECT THE WIRES.



2 DISCONNECT THE BATTERY WIRES.



4 CLOSE THE BATTERY DOOR.

